



PUBLISH

| JT to CATIA COMPOSER

Theorem's Publish 3D for JT to CATIA Composer converts data between the JT file format, and Dassault Systèmes CATIA Composer application.

Publish 3D provides Composer users with solutions to access and share native CAD, Visualization and Design data throughout their organisations and supply chains.

This converter runs independently of JT products, minimizing cost and complexity but still enables users of CATIA Composer to directly access JT data.

| Using Composer

Enables users to interactively import JT data directly into the Composer environment. Once data has been imported it can be completely manipulated using the extensive functionality of the Composer application, allowing the user to access any product structure information, and geometry, while authoring Composer output.

| Benefit From

- Use of your engineering product data
- Internal and external communication
- Product and process quality
- Overall productivity - data re-use
- Reduction in errors - data re-use

| Gain Competitive Advantage

Create comprehensive CATIA Composer documents combining a range of data

- Native JT data
- Metadata from other internal systems

| JT to CATIA Composer Solution

There are a variety of ways to use the solution:

Interactive

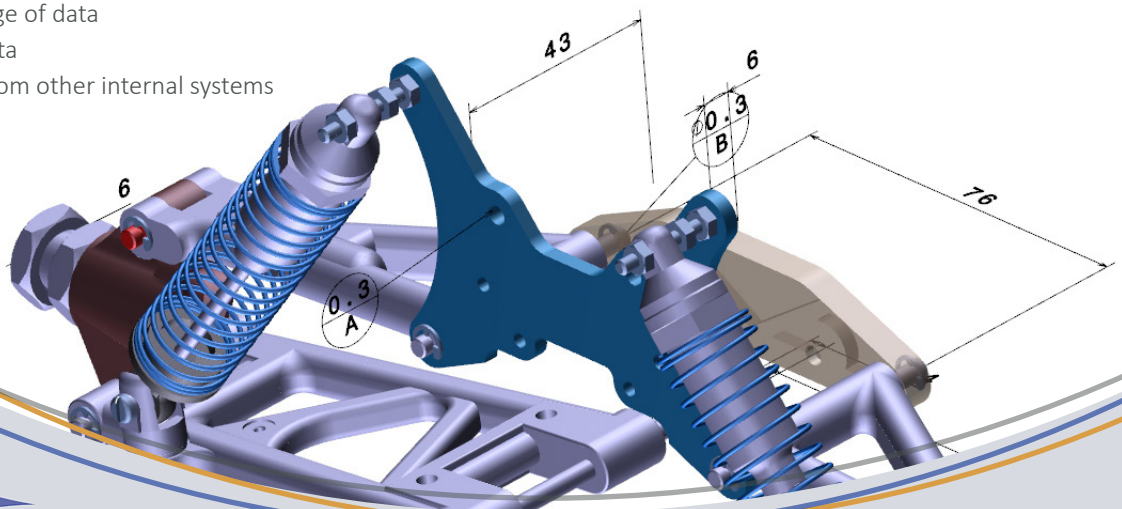
- Interactively open JT files in Composer
- Low-cost entry into the world of CATIA Composer technical publications

Sync

- Combines an interactive capability with the ability to batch process.
- Supports ad hoc or volume publishing

Enterprise Sync

- A server-based solution for high volume use
- Designed to process large volumes of data
- It can be fully integrated in business processes and enterprise systems



About Theorem Solutions

Theorem Solutions have been helping engineering and manufacturing users leverage the value of their CAD and PLM assets for over 25 years. We help the world's leading Automotive, Aerospace, Defense, Power Generation, Transportation, and White Goods manufacturers and their end-to-end value chains to optimize the use of their Digital assets. Our solutions enable product development and manufacturing businesses to compress design and manufacturing lifecycles, whilst improving product quality. Our core strength is in the visualization and utilization of data across complex organizations to maximize efficiency.

Theorem Solutions offers a consultative approach to help customers get the most from technology. We advise on optimum use cases, deployment strategy, and custom development as required to maximize the Return on Investment.

UK, Europe, Asia Pacific Regions

+44 (0)1827 305350

sales@theorem.com

US and the Americas

+1 (513) 576 1100

sales-usa@theorem.com

www.theorem.com

