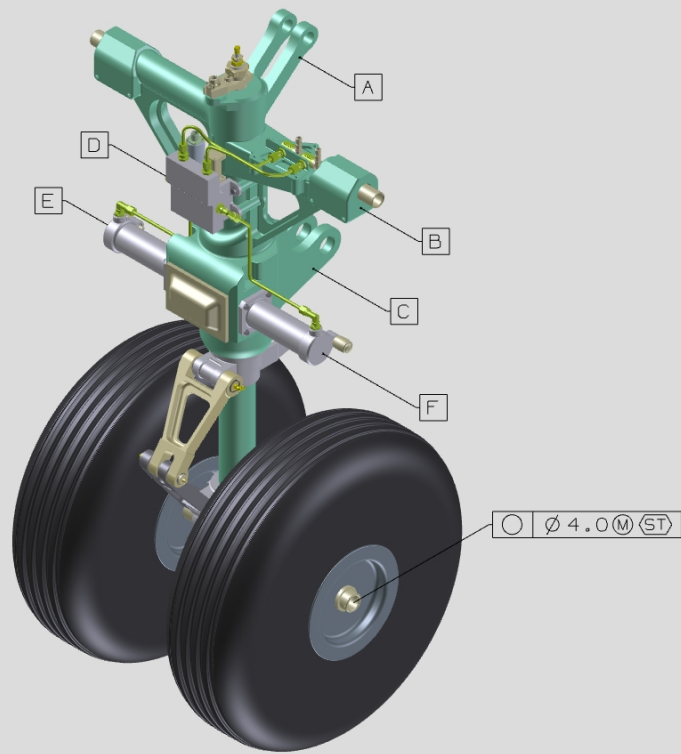


Views

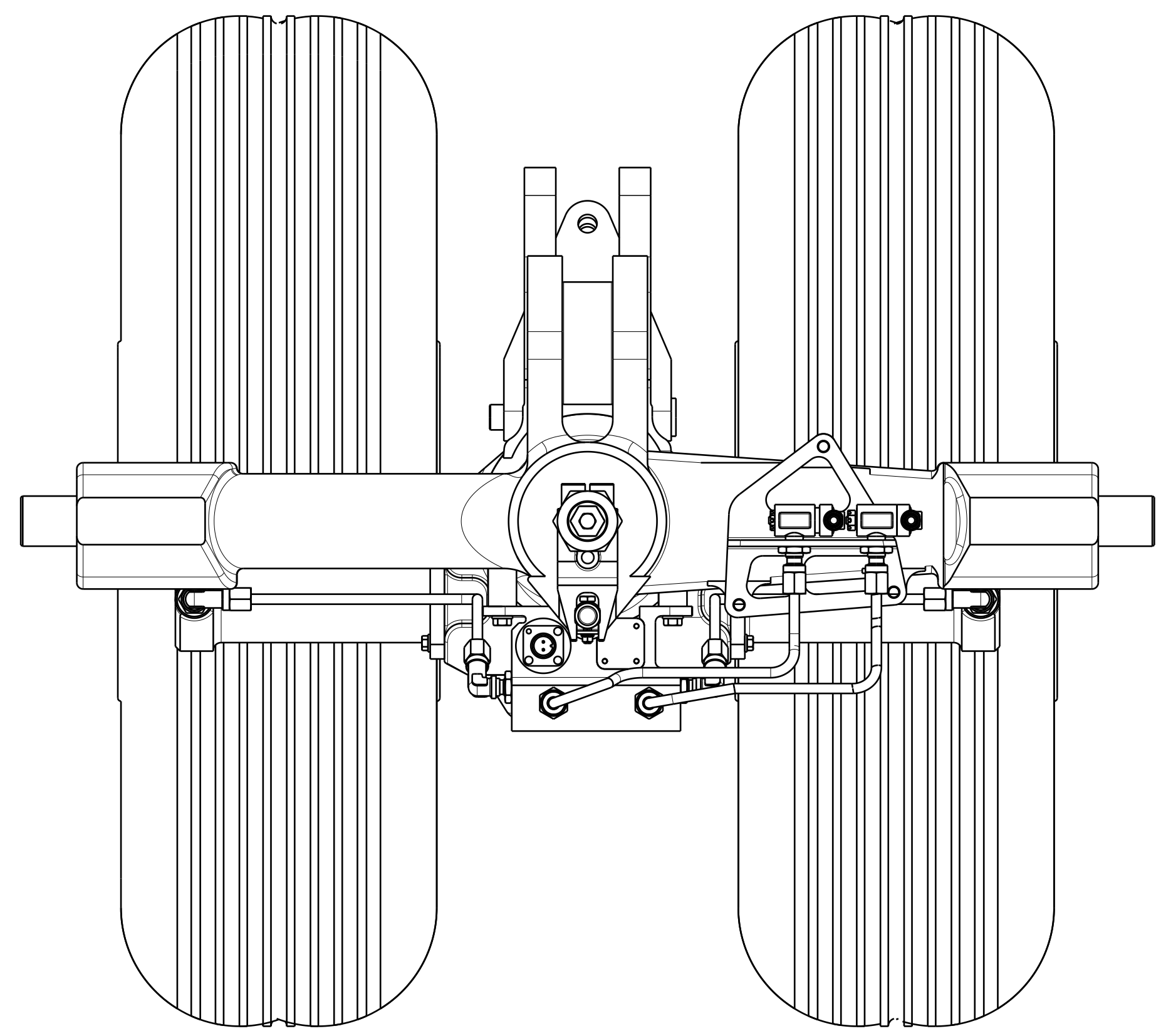
Attachments



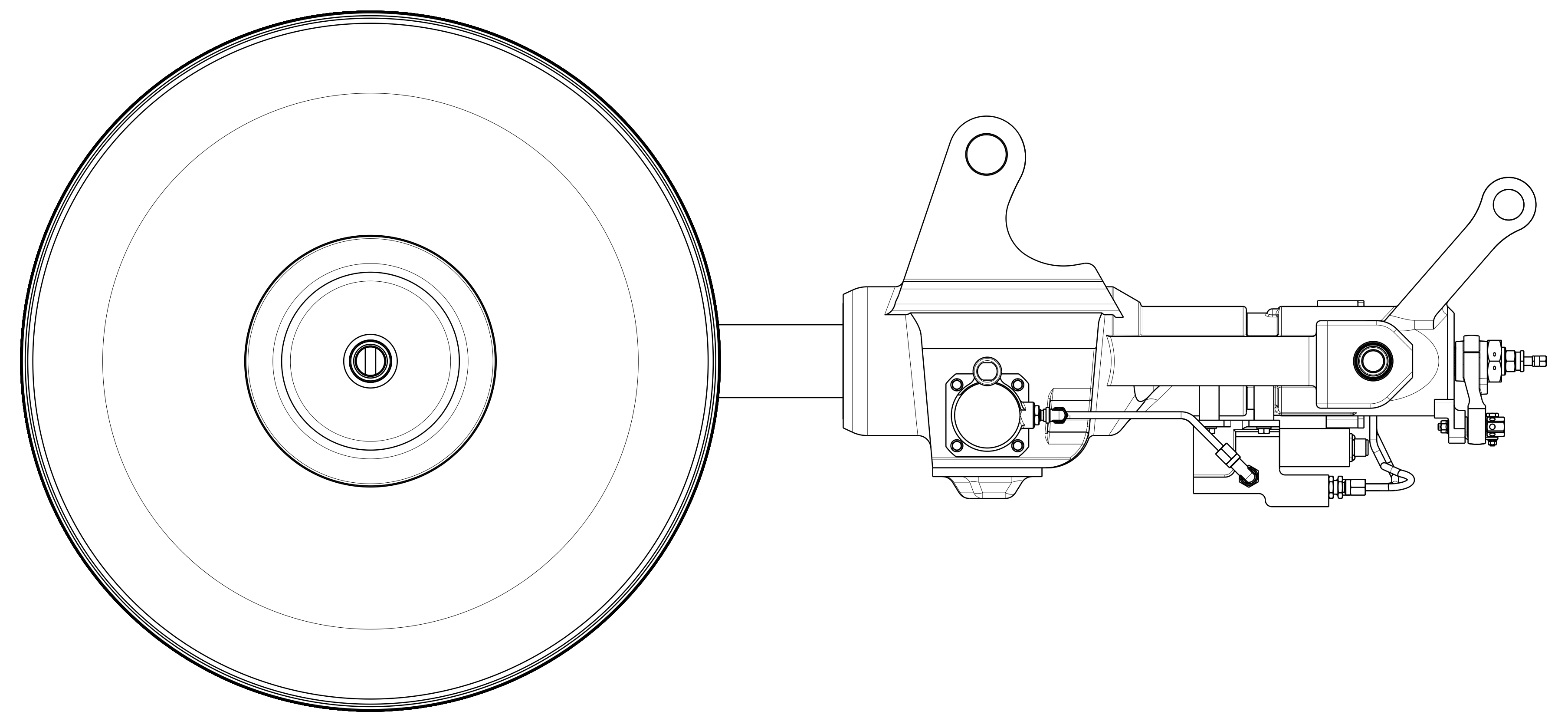
Part List Filter

Part List

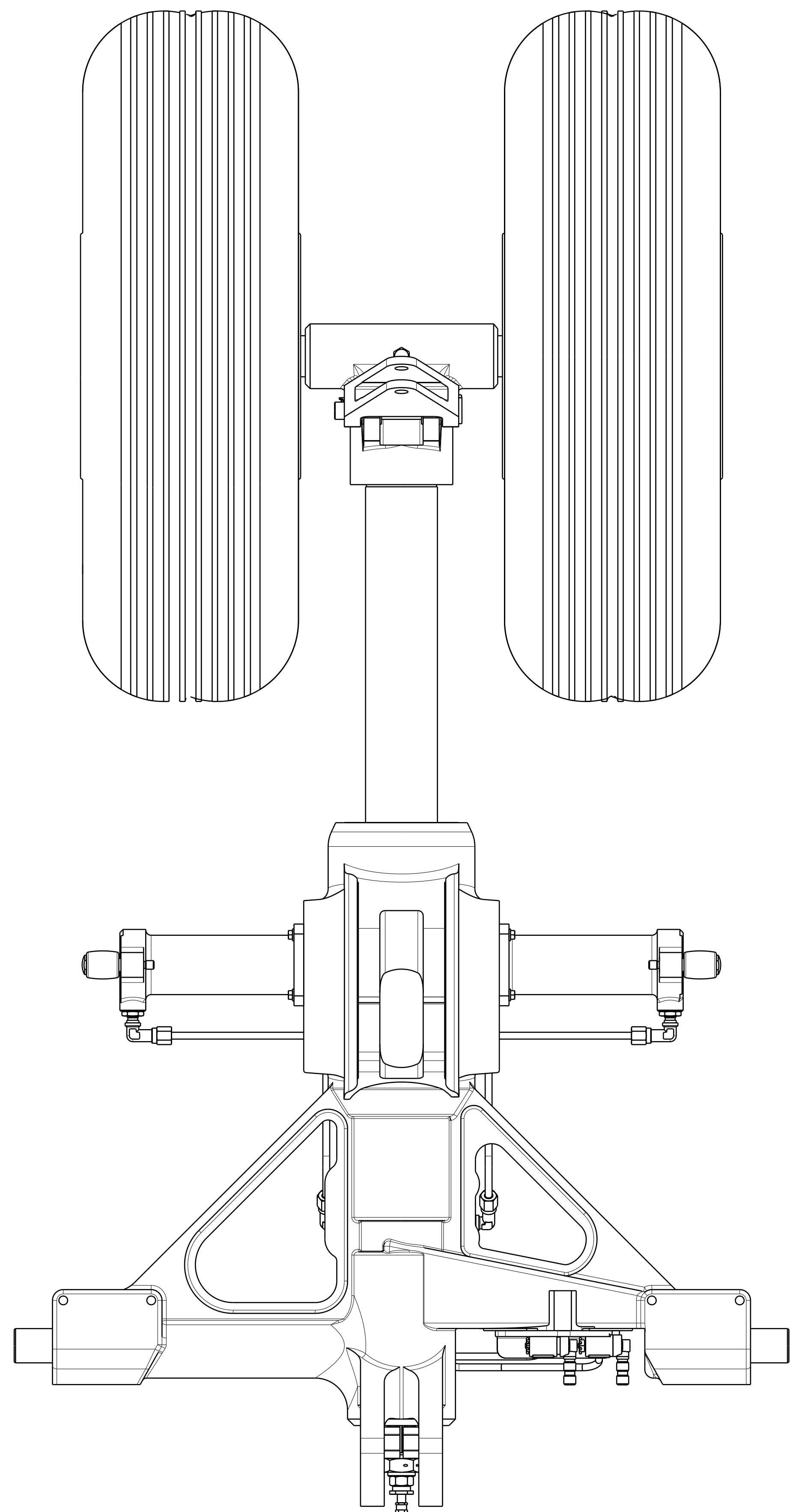
Part Attributes



Front view  
Scale: 1:3

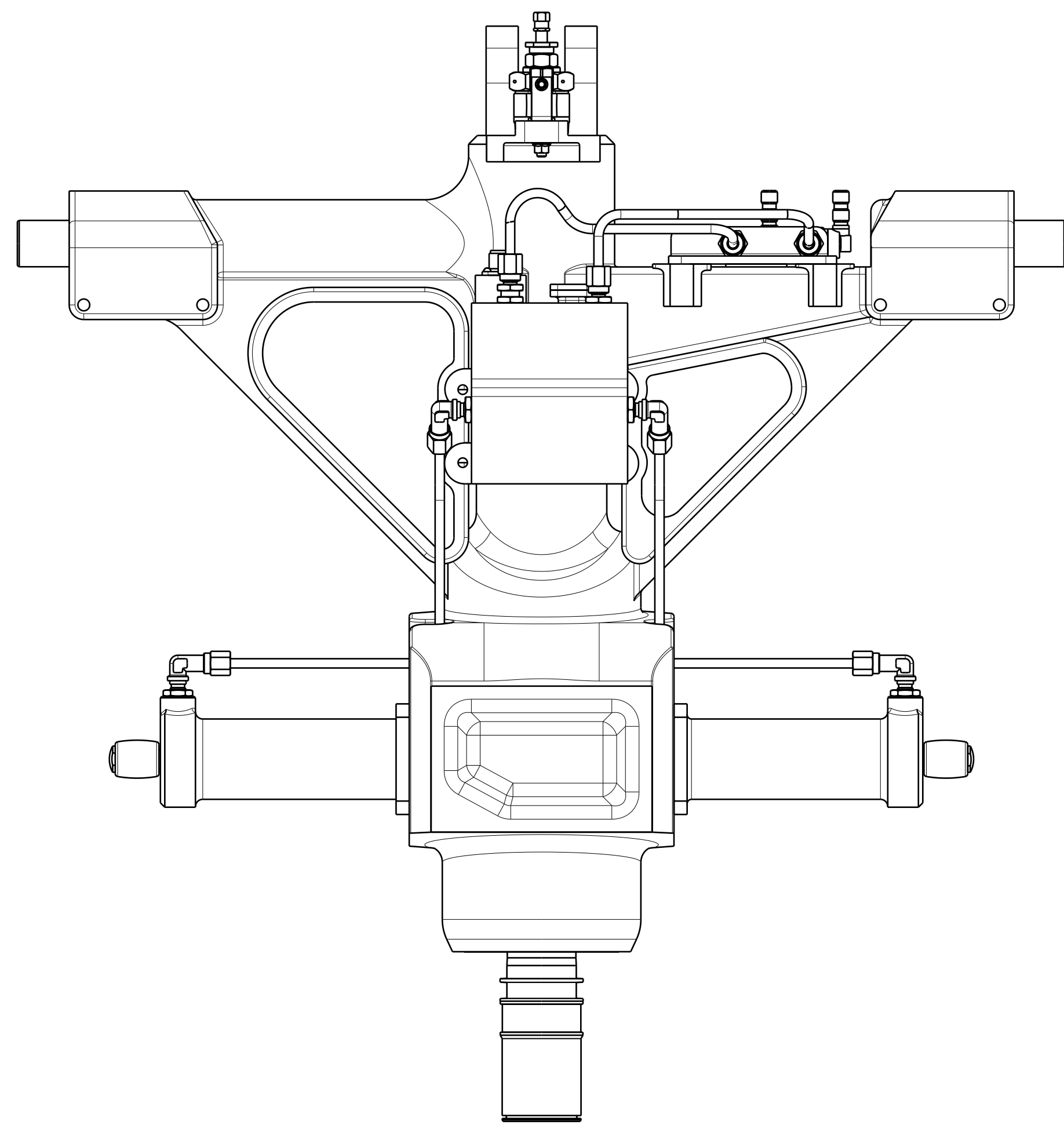


Left view  
Scale: 1:3

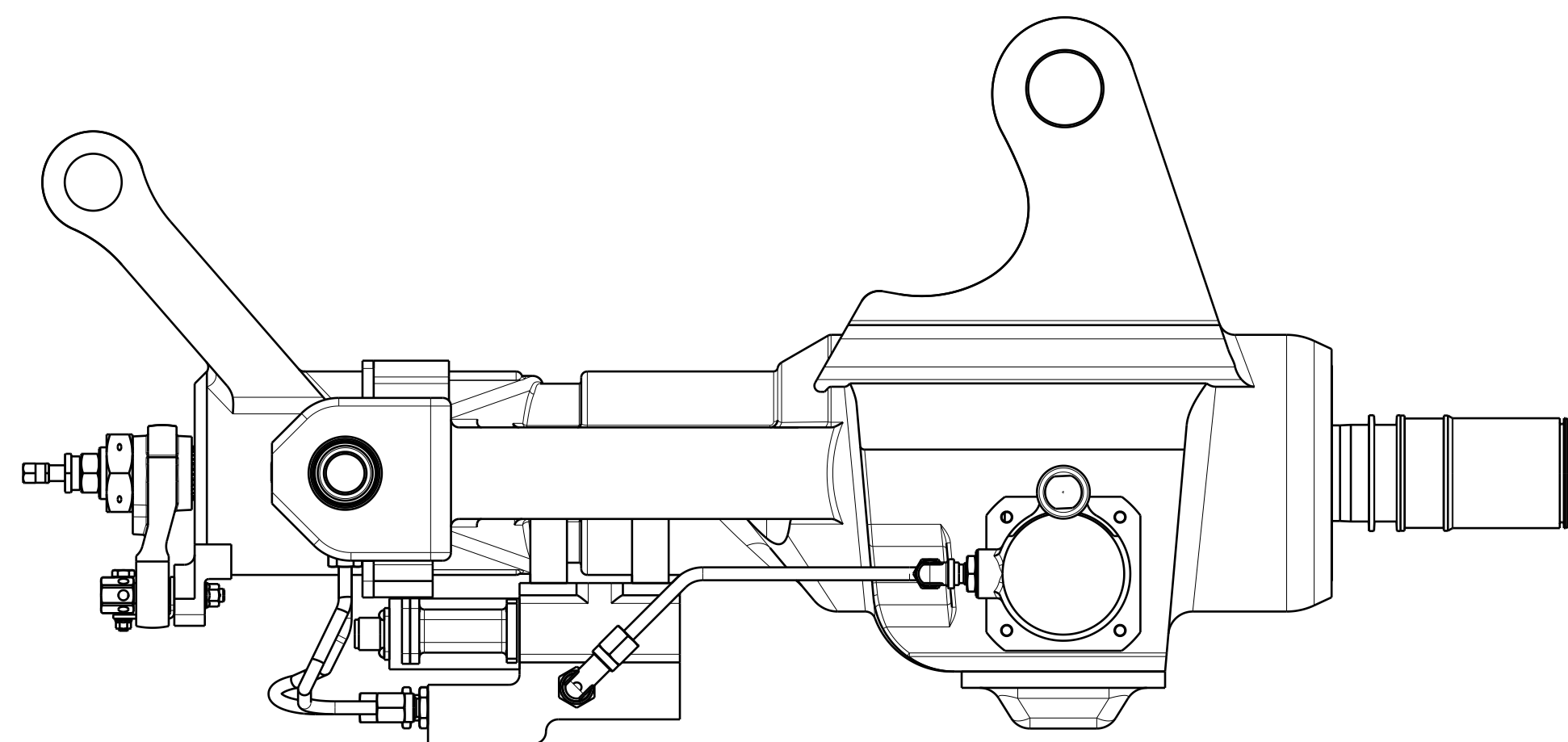


Top view  
Scale: 1:3

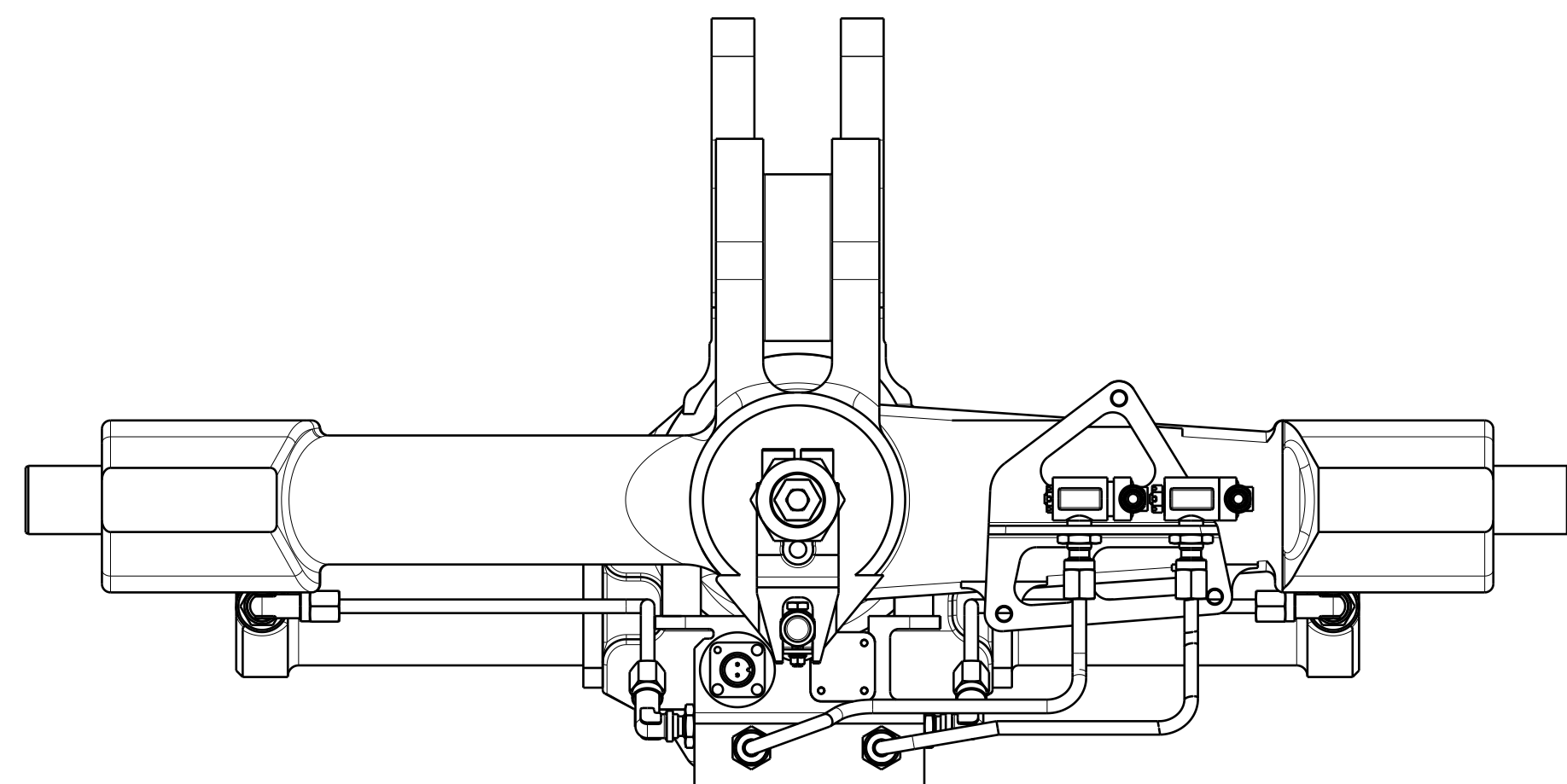
Item	Part No	Description	Material	Is s	Qty
1	01AEO-101	BUSH FWD MTG XMBR RR	(1.7734.5) A		2
2	01AEO-102	BUSH RWD MTG XMBR RR	(1.7734.5) A		2
3	01AEO-103	BUSH RR GUARD MTG	(1.7734.5) A		4
4	01AEO-104	BUSH RR DIFF MTG	(1.7734.5) A		4
5		LEADING TUBE	1.7734.5 A Φ25x1.5		1
6		INTERMEDIATE TUBE	1.7734.5 A Φ22x1.0		1
7		TRAILING TUBE	1.7734.5 A Φ30x1.5		1
8		LONGIT TUBE	1.7734.5 A Φ30x1.5		2
9		TRACKROD BRACING LH	1.7734.5 A Φ20x1.5		1
10		TRACKROD BRACING RH	1.7734.5 A Φ20x1.5		1
11		REAR BUSH SUPPORT	1.7734.5 A Φ25x1.5		2
12		GUSSET FWD LH	1.7734.5 A 1.0T		1
13		GUSSET FWD RH	1.7734.5 A 1.0T		1
14		TRACKROD CLEVIS	1.7734.5 A 3.0T		2
15		WISHBONE CLEVIS WALL A	1.7734.5 A 5.0T		2
16		WISHBONE CLEVIS WALL B	1.7734.5 A 5.0T		2
17		WISHBONE CLEVIS FR UPR SUPPORT	1.7734.5 B 2.5T		2
18		WISHBONE CLEVIS FR LWR SUPPORT	1.7734.5 B 2.5T		2
19		WISHBONE CLEVIS WALL C	1.7734.5 A 5.0T		2
20		WISHBONE CLEVIS WALL D	1.7734.5 A 5.0T		2
21		WISHBONE CLEVIS RR SUPPORT	1.7734.5 B 2.5T		4
22		GUSSET RWD DIFF MTG A	1.7734.5 A 1.0T		2
23		GUSSET RWD DIFF MTG B	1.7734.5 A 1.0T		2
24	01AEO-140	WHEELSPEED SENSOR BOSS X-MEMBER RR	(1.7734.5) A		2



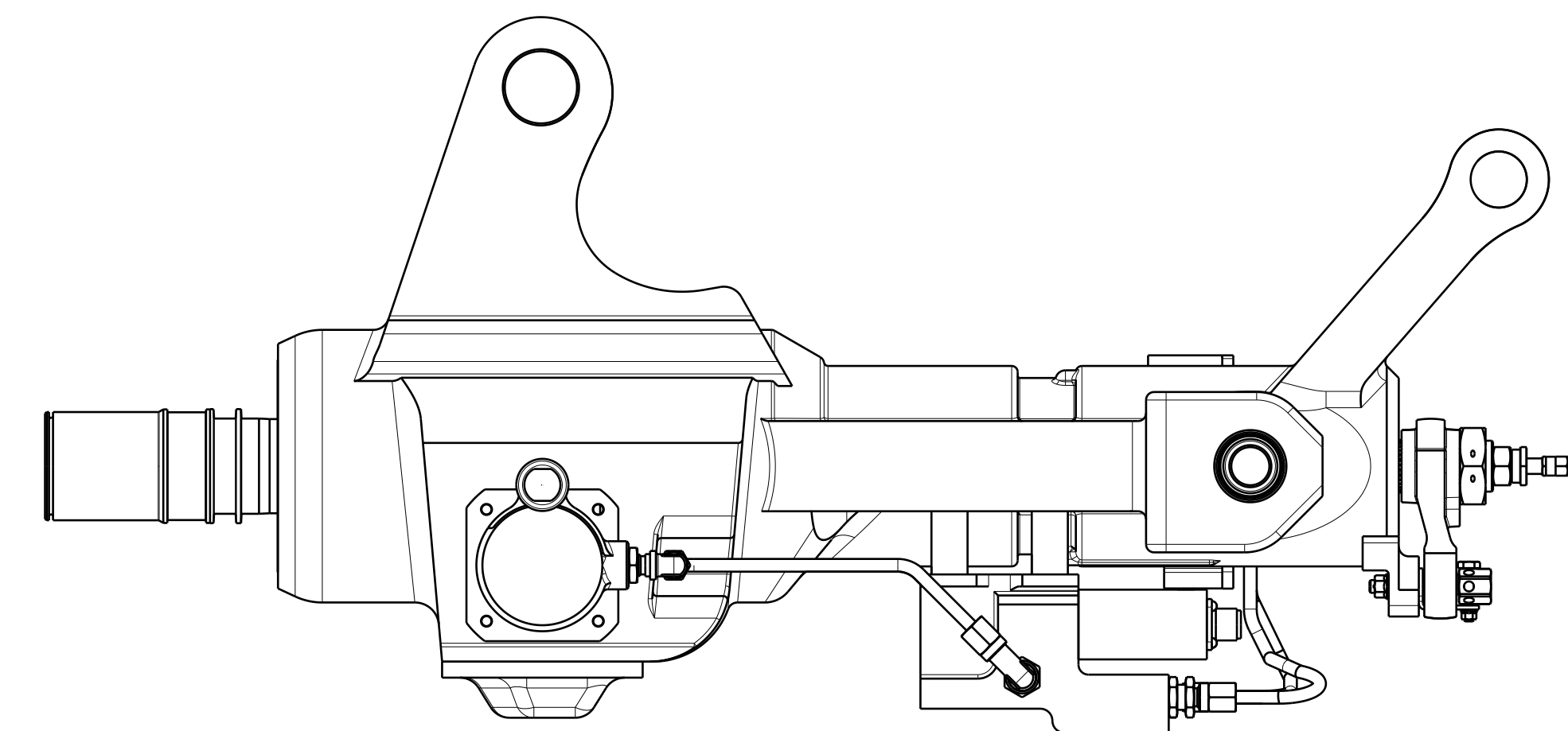
Bottom view  
Scale: 1:3



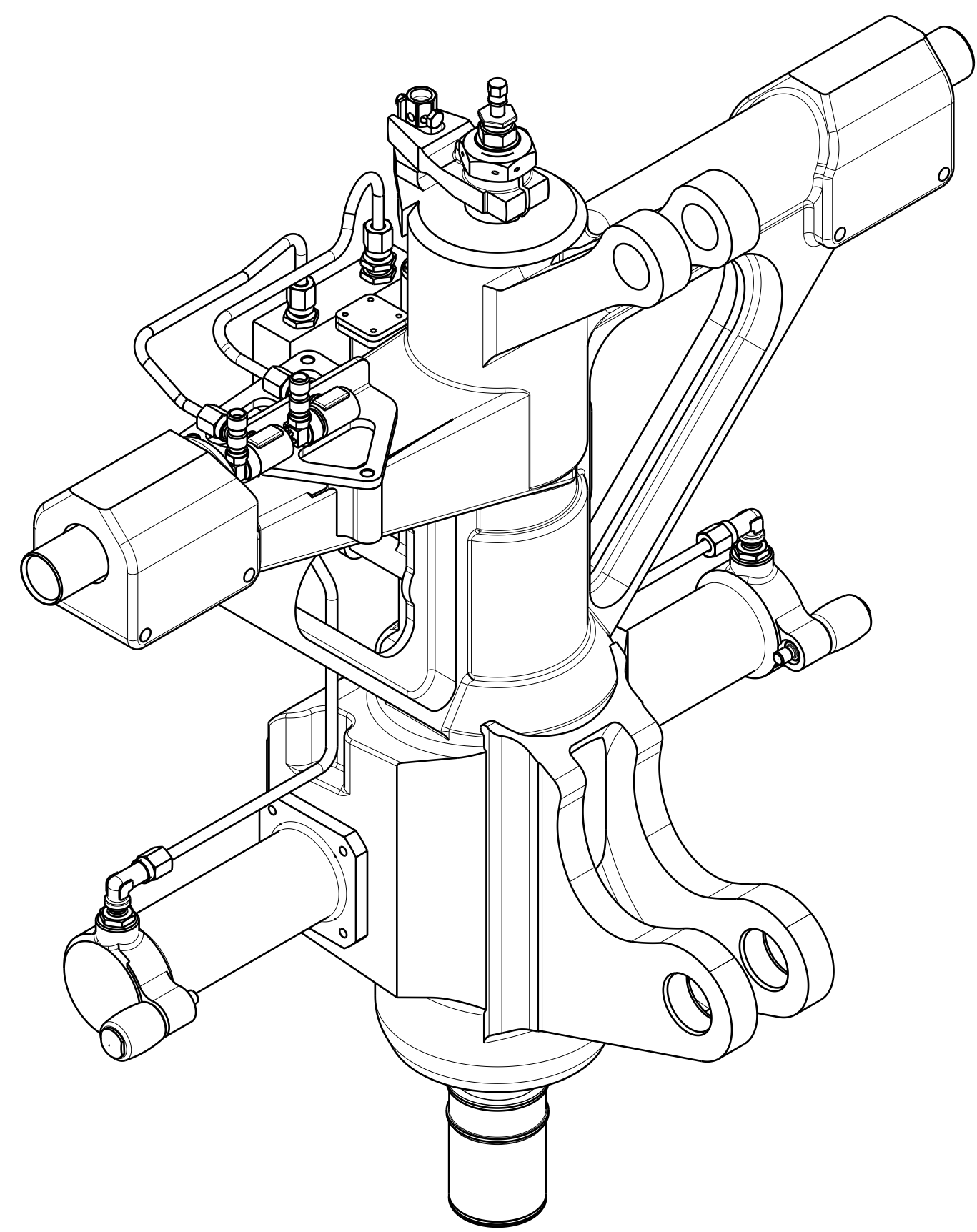
Right view  
Scale: 1:3



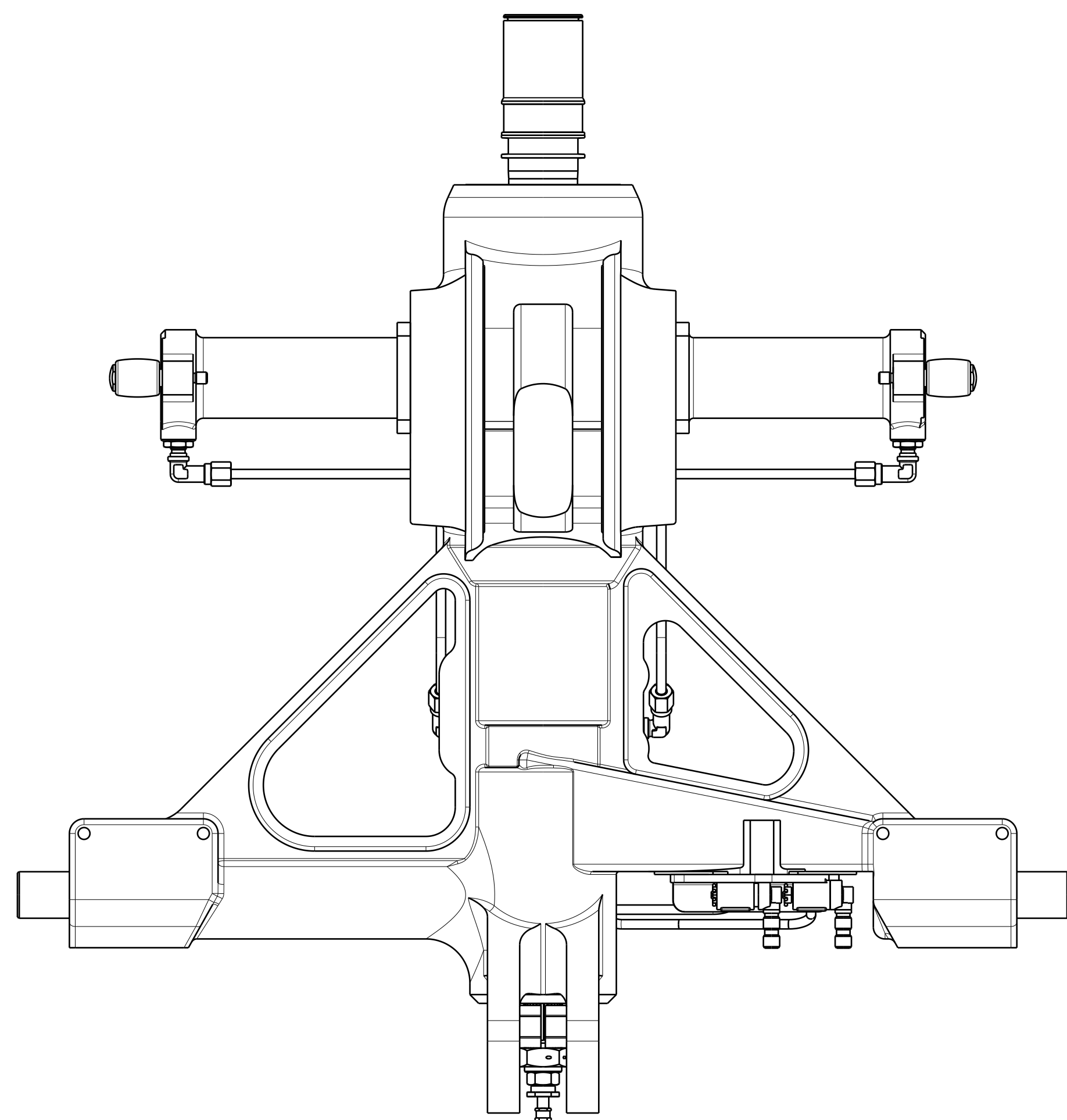
Front view  
Scale: 1:3



Left view  
Scale: 1:3



Isometric view  
Scale: 1:3



Top view  
Scale: 1:3