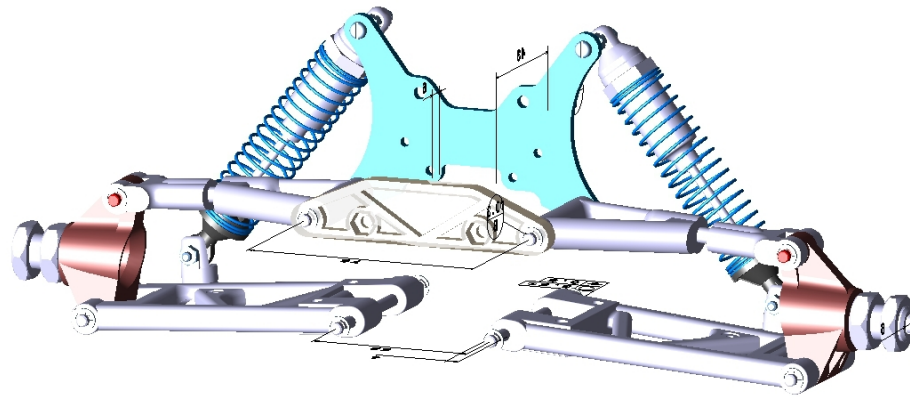


Document

3D Interrogation

Views

Display Mode



Part List Filter

Part List

Part Attribute Information