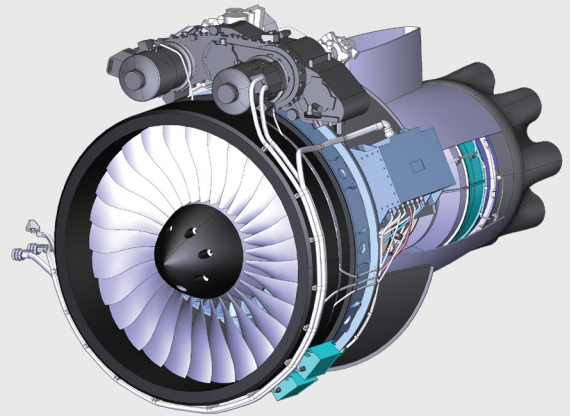




3D PDF for CATIA V5 users enables the creation of documents enriched with 3D content directly from native CATIA V5 data

Theorem's 3D PDF Publisher for CATIA V5 users, based upon Adobe's® ISO standard 3D PDF technology, is a document publishing solution for organisations of all sizes who design using the Dassault Systemes CATIA V5 modelling application. It enables companies to create and share documentation containing 3D representations of their CATIA V5 design data with members of their organisations and supply chains whilst securing the intellectual property of their designs.



Using 3D PDF

Utilizing the 3D PDF document format to share engineering design data, whether it's used to create: Purchase Orders, Request for Quotations, Engineering Change Requests, Inspection Reports, Instruction Manuals or even Sales and Marketing brochures, allows for improved communication throughout the product design to manufacture and to market processes. 3D PDF opens access to data and information that previously would only be available to 'Engineering'.

Members of all departments (Engineering, Purchasing, Quality, Sales and Marketing, Support) with access to the freely available Adobe Acrobat Reader® supported on desktop, laptop, tablet and phone can now consume, view and mark up the 3D representations of the original CATIA V5 design data, eliminating the requirement for paper documents and the need to install and train users on specialist viewing software.

Benefit from improved

- ▶ Use of your engineering product data
- ▶ Internal and external communication
- ▶ Decision-making
- ▶ IP Protection
- ▶ Product and process quality
- ▶ Overall productivity- data re-use
- ▶ Reduction in errors- data re-use

Gain Competitive Advantage

Create comprehensive PDF documents combining a range of data

- ▶ Native CATIA V5 data
- ▶ Metadata from other internal systems
- ▶ Most other file types e.g. Word, Excel, Tiff etc
- ▶ Embed Interactive content

Supporting Model-Based Engineering

Theorem's Publish 3D products support the translation of 3D Product Manufacturing Information (PMI), assembly structure, geometry, attributes and Metadata from CATIA V5 into 3D PDF enabling Model-Based Engineering.

Publish 3D

Theorem's Publish 3D product suite enables companies to create rich documents with 3D content from a variety of sources.

3D PDF for CATIA V5 can be used in a variety of ways:

Publish 3D - Interactive

- ▶ Low-cost entry into the world of 3D PDF
- ▶ Interactively publishes a 3D PDF file from within CATIA V5

Publish 3D - On Demand

- ▶ Combines an interactive capability with the ability to batch process.
- ▶ Supports ad hoc or volume publishing
- ▶ Enables casual users to drag and drop native CATIA V5 files
- ▶ Offers independent viewing of the native CATIA V5 file

Publish 3D - Automated

- ▶ A server-based solution for high volume use
- ▶ Automatically publishes 3D PDF files from native CATIA V5 data
- ▶ Designed to process large volumes of data
- ▶ It can be fully integrated in business processes and enterprise systems

View the 5 minute overview video



For further information

For UK, Europe, Asia Pacific Regions

Tel: +44 (0)1827 305 350

Email: Sales@theorem.com

For USA and the Americas

Tel: +1 (513) 576 1100

Email: sales-usa@theorem.com

Web: theorem.com/3dpdf